

24W

Waterproof Power Supply (C.V.)

Model ND-XXV-24W-WP

Input 185-250V AC

Output 12/24VDC 2A 24W



Product Features

- Compact size - easy for installation
- High transfer efficiency
- Aluminium housing
- Stable constant voltage output
- IP67 - both indoor & outdoor use suitable
- 100% full loading - 100% burn-in tested
- Overload/short circuit protection



Size: 140*29*21mm

MAIN ELECTRICAL DATA

AC Input

Input Voltage	185-250V AC
Input Frequency	50/60Hz
Efficiency (Typ.)	85%
Input Current	230V : 0.18A _{max}
Inrush Current	40A
Leakage Current	5mA/230VAC

DC Output

Output Voltage	12V	24V
Rated Current	2A	1A
Rated Power	24W	24W
Ripple & Noise (Max)	<400mVp-p	<100mVp-p
Setup, Rise Time	1500ms/230VAC	1500ms/230VAC
Line Regulation	1%	1%
Load Regulation	1%	1%

Service Environment

Working Temp.	-30°C~50°C
Working Humidity	-20~100%RH
Storage Temp.	-40°C~80°C
Storage Humidity	10~95%RH

Protection

Overload	Yes, active when loading is over 110~120% output voltage drops
Short Circuit	Yes, hiccup mode, recovers automatically after fault condition is removed

Safety

Safety Standard	EN 61347-2-13
Withstand Voltage	I/P-O/P: 3000VAC/1min/<5mA
Isolation Resistance	I/P-O/P: >100M Ohms / 500VDC / 25°C / 70%RH

Packaging information

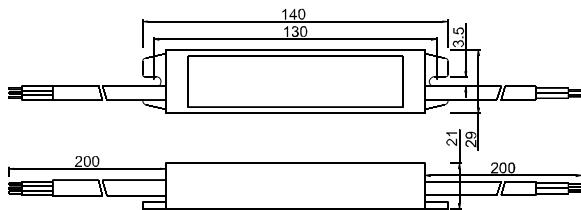
Product Dimension	140*29*21mm
Products Net Weight	145G
PCS/Carton(QTY)	100 PCS
Master Carton Size	39*39*21cm
G. Weight/ Carton	17KG

Installation Tips:

- Please identify the power supply's input and output before installation.
- Ensure correct output + & - wire connection. Power on after wire connection is done.
- To avoid voltage drop and loading capacity wasting on the output extension wire, please install the power supply to the loading as near as possible, if must use long extension wires, thicker wires and less loading wattage is required.
- The power supply to be installed at good ventilation and cooling environment.

Physical Drawing

Unit: mm

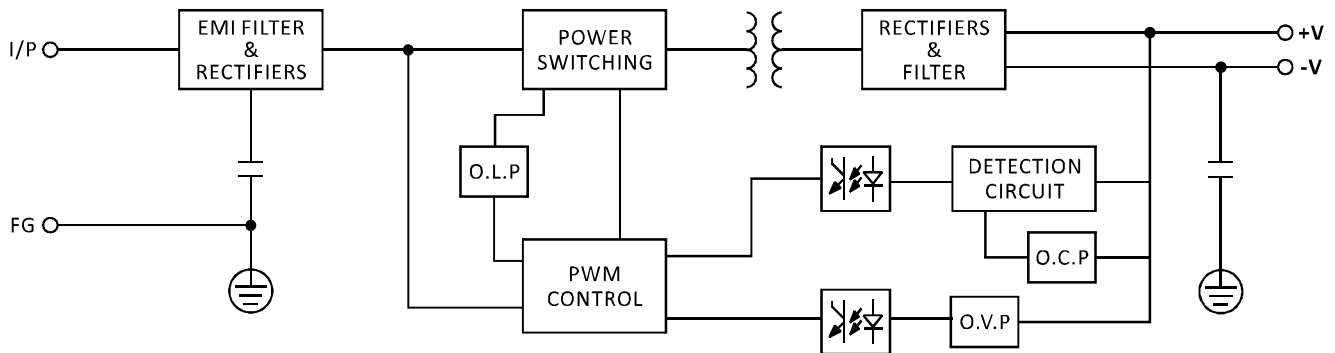


Input: 3 x 0.75 mm² wire, Brown L, Blue N
200mm length

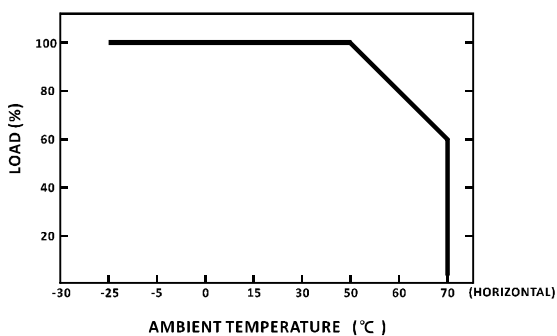
Output: 2 x 0.75mm² wire, Red + , Black -
200mm length

Housing: Aluminium

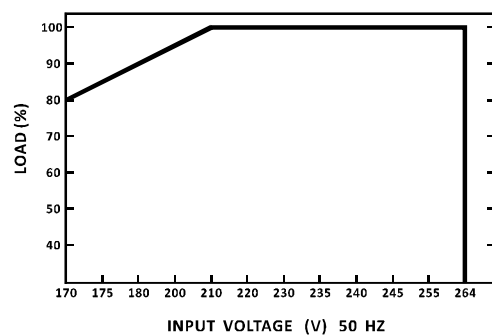
Block Diagram



Derating Curve



Static Characteristics



novadrive®

POWER SUPPLY



Brief Informations

SLIM SERIES

36W

Waterproof Power Supply (C.V.)

Model ND-XXV-36W-WP

Input 185-250V AC

Output 12/24VDC 3A 36W

Product Features

- Compact size - easy for installation
- High transfer efficiency
- Stable constant voltage output
- IP67 - both indoor & outdoor use suitable
- 100% full loading - 100% burn-in tested
- Overload/short circuit protection



Size: 162*29*21mm

MAIN ELECTRICAL DATA

AC Input

Input Voltage	185-250V AC
Input Frequency	50/60Hz
Efficiency (Typ.)	85%
Input Current	230V : 0.18A _{max}
Inrush Current	40A
Leakage Current	5mA/230VAC

DC Output

Output Voltage	12V	24V
Rated Current	3A	1.5A
Rated Power	36W	36W
Ripple & Noise (Max)	<200mVp-p	<200mVp-p
Setup, Rise Time	1500ms/230VAC	1500ms/230VAC
Line Regulation	1%	1%
Load Regulation	2%	2%

Service Environment

Working Temp.	-30°C~50°C
Working Humidity	-20~99%RH
Storage Temp.	-40°C~80°C
Storage Humidity	10~99%RH

Protection

Overload	Yes, O/P voltage drop mode active when overloaded 5-30%, recover after load reduced
Short Circuit	Yes, hiccup mode, recovers automatically after fault condition is removed

Safety

Safety Standard	EN 61347-2-13
Withstand Voltage	I/P-O/P: 3000VAC/1min/<5mA
Isolation Resistance	I/P-O/P: >100M Ohms / 500VDC /25°C / 70%RH

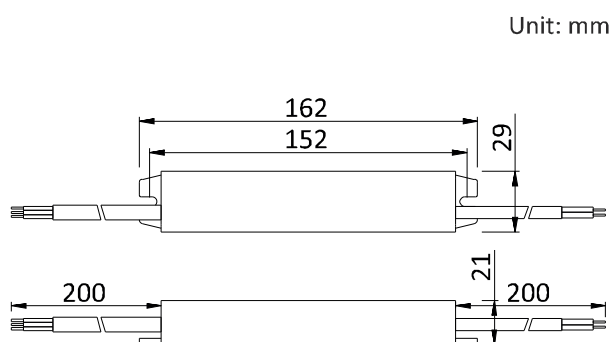
Packaging information

Product Dimension	162*29*21mm
Products Net Weight	170G
PCS/Carton(QTY)	100 PCS
Master Carton Size	39*39*21cm
G. Weight/ Carton	19KG

Installation Tips:

- Please identify the power supply's input and output before installation.
- Ensure correct output + & - wire connection. Power on after wire connection is done.
- To avoid voltage drop and loading capacity wasting on the output extension wire, please install the power supply to the loading as near as possible, if must use long extension wires, thicker wires and less loading wattage is required.
- The power supply to be installed at good ventilation and cooling environment.

Physical Drawing

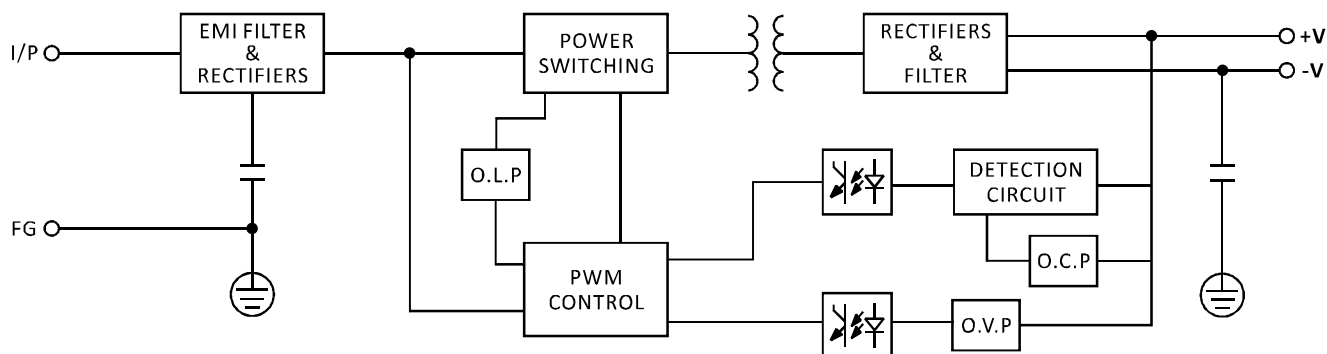


Input: 3 x 0.75 mm² wire, Brown L, Blue N
200mm length

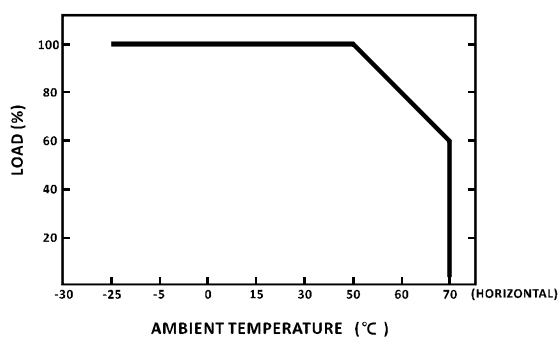
Output: 2 x 0.75mm² wire, Red + , Black -
200mm length

Housing: Aluminium

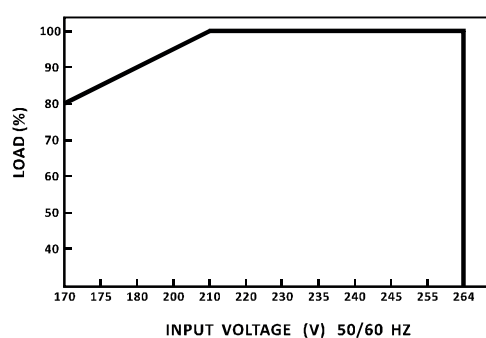
Block Diagram



Derating Curve



Static Characteristics



novadrive®

POWER SUPPLY



Brief Informations

SLIM SERIES

60W

Waterproof Power Supply (C.V.)

Model ND-12V-60W-WP / ND-24V-60W-WP

Input 185-250V AC / 200-250V AC

Output 12VDC 5A 60W / 24VDC 2.5A 60W

Product Features

- Super slim design
- High transfer efficiency
- Stable constant voltage output
- IP67 - For both indoor & outdoor
- 100% full loading - 100% burn-in tested
- Overload/short circuit protection



Size: 222*29*21mm

MAIN ELECTRICAL DATA

AC Input

Input Voltage	185-250V AC / 200-250V AC
Input Frequency	50/60Hz
Efficiency (Typ.)	86%
Input Current	230V: 0.46A _{max.}
Inrush Current	40A
Leakage Current	1mA/230VAC

DC Output

Output Voltage	12V	24V
Rated Current	5A	2.5A
Rated Power	60W	60W
Ripple & Noise (Max.)	<300mVp-p	<300mVp-p
Setup, Rise Time	1500ms/230VAC	1500ms/230VAC
Line Regulation	1%	1%
Load Regulation	1%	1%

Service Environment

Working Temp.	-30°C~50°C
Working Humidity	20~98%RH
Storage Temp.	-40°C~80°C
Storage Humidity	10~98%RH

Protection

Overload	Yes, active when loading is over 110~120% Output Voltage drops if overloaded
Short Circuit	Yes, hiccup mode, recovers automatically after fault condition is removed

Safety

Safety Standard	EN 61347-2-13
Withstand Voltage	I/P-O/P: 3750VAC/1min/<5mA
Isolation Resistance	I/P-O/P: >100M Ohms / 500VDC /25°C / 70%RH

Packaging information

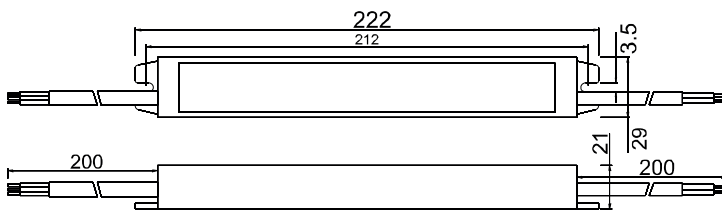
Product Dimension	222*29*21mm
Products Net Weight	240G
PCS/Carton(QTY)	50 PCS
Master Carton Size	40*24*23cm
G. Weight/ Carton	13.5KG

Installation Tips:

- Please identify the power supply's input and output before installation.
- Ensure correct output + & - wire connection.
Power on after wire connection is done.
- To avoid voltage drop and loading capacity wasting on the output extension wire, please install the power supply to the loading as near as possible, if must use long extension wires, thicker wires and less loading wattage is required.
- The power supply to be installed at good ventilation and cooling environment.

Physical Drawing

Unit: mm

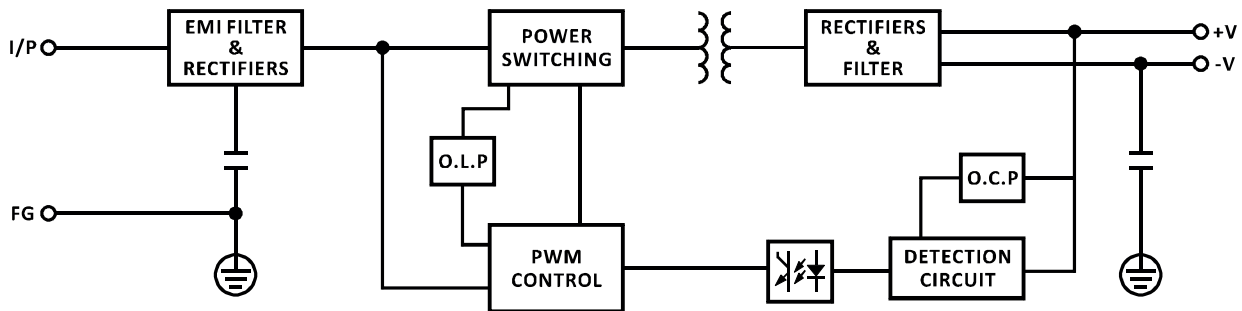


Input: 3 x 0.75 mm² wire, Brown L, Blue N
200mm length

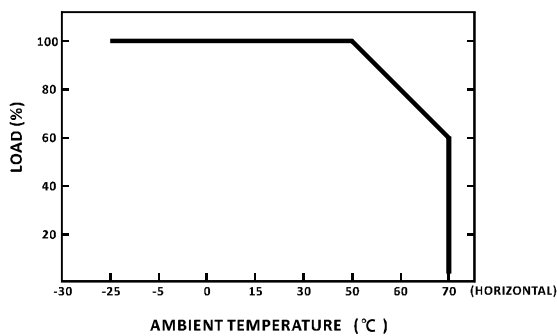
Output: 2 x 0.75 mm² wire, Red + , Black -
200mm length

Housing: Alluminium

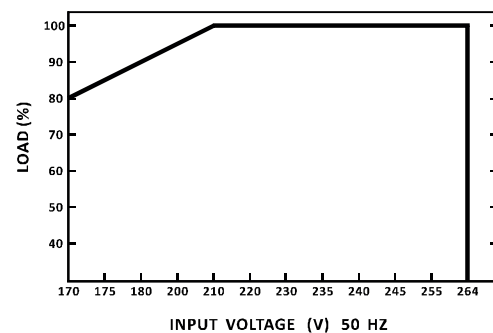
Block Diagram



Derating Curve



Static Characteristics



100W

Waterproof Power Supply (C.V.)

Model ND-12V-100W-WP / ND-24V-100W-WP

Input 170-250V AC

Output 12VDC 8.33A 100W / 24VDC 4.17A 100W



Product Features

- Super slim design
- High transfer efficiency
- Stable constant voltage output
- IP67 - both indoor & outdoor use suitable
- 100% full loading - 100% burn-in tested
- Overload/short circuit protection



Size: 218*40*22mm

MAIN ELECTRICAL DATA

AC Input

Input Voltage	170-250V
Input Frequency	50/60Hz
Efficiency (Typ.)	90%
Input Current	230V: 0.9A max.
Inrush Current	40A
Leakage Current	5mA/230VAC

DC Output

Output Voltage	12V	24V
Rated Current	8.33A	4.17A
Rated Power	100W	100W
Ripple & Noise (Max.)	<100mVp-p	<100mVp-p
Setup, Rise Time	1500ms/230VAC	1500ms/230VAC
Line Regulation	1%	1%
Load Regulation	1%	1%

Service Environment

Working Temp.	-30°C~50°C
Working Humidity	20~95%RH
Storage Temp.	-40°C~80°C
Storage Humidity	10~95%RH

Protection

Overload	Yes, cut-off mode, output shuts down if 10-20% over-loaded
Short Circuit	Yes, hiccup mode, recovers automatically after fault condition is removed

Safety

Safety Standard	EN 61347-2-13
Withstand Voltage	I/P-O/P: 3000VAC/1min/<5mA
Isolation Resistance	I/P-O/P: >100M Ohms / 500VDC /25°C / 70%RH

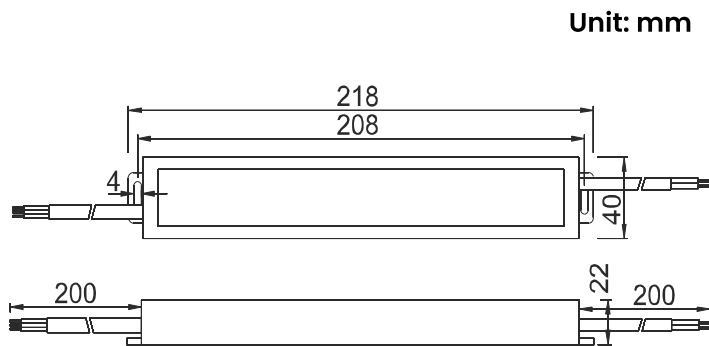
Packaging information

Product Dimension	218*40*22mm
Products Net Weight	390G
PCS/Carton(QTY)	40 PCS
Master Carton Size	37*26*26cm
G. Weight/ Carton	17KG

Installation Tips:

- Please identify the power supply's input and output before installation.
- Ensure correct output + & - wire connection.
- Power on after wire connection is done.
- To avoid voltage drop and loading capacity wasting on the output extension wire, please install the power supply to the loading as near as possible, if must use long extension wires, thicker wires and less loading wattage is required.
- The power supply to be installed at good ventilation and cooling environment.

Physical Drawing

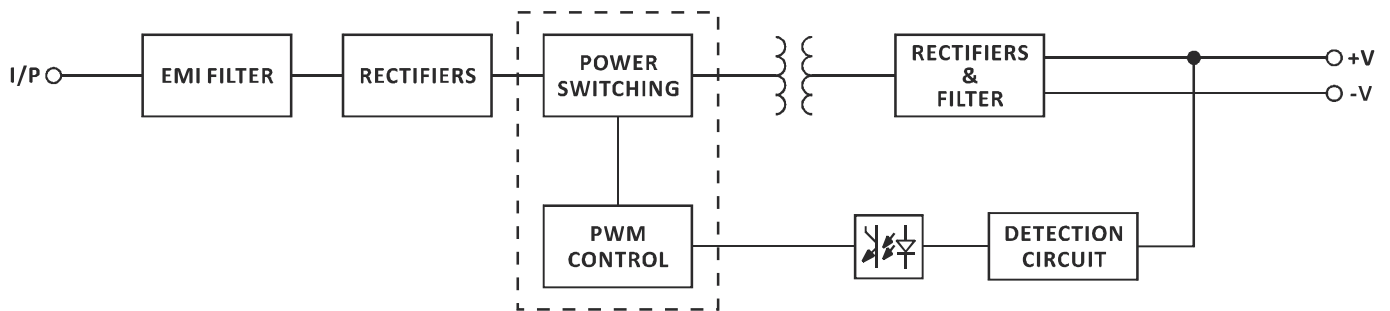


Input: 3 x 0.75 mm² wire, Brown L, Blue N
200mm length

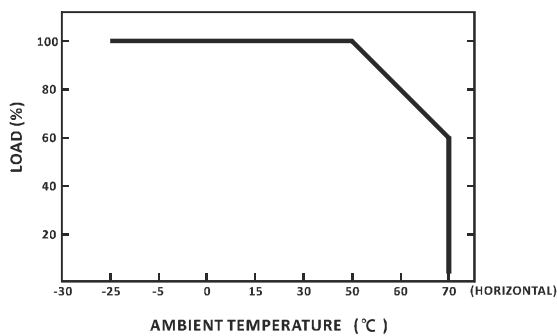
Output: 2 x 1 mm² wire, Red + , Black -
200mm length

Housing: Alluminium

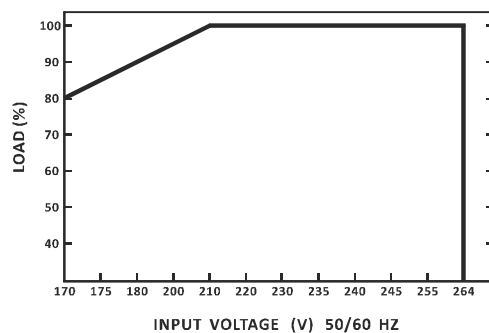
Block Diagram



Derating Curve



Static Characteristics



novadrive®

POWER SUPPLY



Brief Informations

SLIM SERIES

150W

Waterproof Power Supply (C.V.)

Model ND-12V-150W-WP / ND-24V-150W-WP

Input 200~250V AC

Output 12VDC 12.5A 150W / 24V DC 6.25A 150W

Product Features

- Compact size - easy for installation
- High transfer efficiency
- Wide input range
- Stable constant voltage output
- IP67 - both indoor & outdoor use suitable
- 100% full loading - 100% burn-in tested
- Overload/short circuit protection



Size: 279*57*25mm

MAIN ELECTRICAL DATA

AC Input

Input Voltage	200~250V
Input Frequency	50/60Hz
Efficiency (Typ.)	87%
Input Current	230V: 1.45A max.
Inrush Current	40A
Leakage Current	3mA/230VAC

DC Output

Output Voltage	12V	24V
Rated Current	12.5A	6.25A
Rated Power	150W	150W
Ripple & Noise (Max.)	<100mVp-p	<100mVp-p
Setup, Rise Time	1500ms/230VAC	1500ms/230VAC
Line Regulation	1%	1%
Load Regulation	1%	1%

Service Environment

Working Temp.	-30°C~50°C
Working Humidity	20~95%RH
Storage Temp.	-40°C~80°C
Storage Humidity	10~95%RH

Protection

Overload	Yes, cut-off mode, output shuts down if over-loaded
Short Circuit	Yes, hiccup mode, recovers automatically after fault condition is removed

Safety

Safety Standard	EN 61347-2-13
Withstand Voltage	I/P-O/P: 3750VAC/1min/<5mA
Isolation Resistance	I/P-O/P: >100M Ohms / 500VDC /25°C / 70%RH

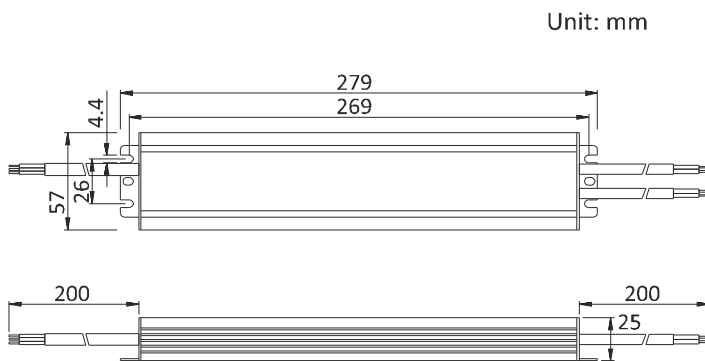
Packaging information

Product Dimension	279*57*25mm
Products Net Weight	680G
PCS/Carton(QTY)	25 PCS
Master Carton Size	41.5*33*18cm
G. Weight/ Carton	18KG

Installation Tips:

- Please identify the power supply's input and output before installation.
- Ensure correct output + & - wire connection. Power on after wire connection is done.
- To avoid voltage drop and loading capacity wasting on the output extension wire, please install the power supply to the loading as near as possible, if must use long extension wires, thicker wires and less loading wattage is required.
- The power supply to be installed at good ventilation and cooling environment.

Physical Drawing

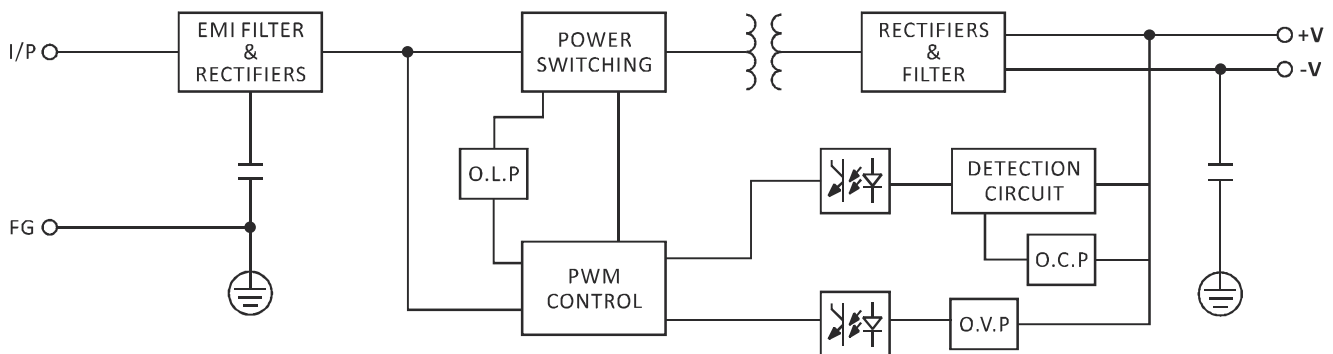


Input: 3 x 1 mm² wire, Brown L, Blue N
200mm length

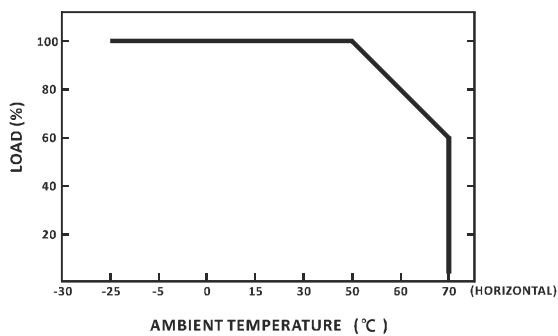
Output: 2 x 0.75 mm² wire, Red + , Black -
200mm length

Housing: Alluminium

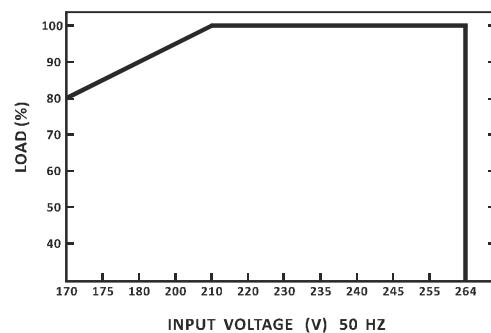
Block Diagram



Derating Curve



Static Characteristics



novadrive®

POWER SUPPLY



Brief Informations

SLIM SERIES

200W

Waterproof Power Supply (C.V.)

Model ND-12V-200W-WP / ND-24V-200W-WP

Input 190-250V AC

Output 12VDC 16.7A 200W / 24V DC 8.33A 200W

Product Features

- Compact size - easy for installation
- High transfer efficiency
- Stable constant voltage output
- IP67 - both indoor & outdoor use suitable
- 100% full loading - 100% burn-in tested
- Overload/short circuit protection



Size: 225*65*35mm

MAIN ELECTRICAL DATA

AC Input

Input Voltage	190-250V AC
Input Frequency	50/60Hz
Efficiency (Typ.)	89%
Input Current	230V: 1.6A max.
Inrush Current	40A
Leakage Current	5mA/230VAC

DC Output

Output Voltage	12V	24V
Rated Current	16.7A	8.33A
Rated Power	200W	200W
Ripple & Noise (Max.)	<120mVp-p	<120mVp-p
Setup, Rise Time	1500ms/230VAC	1500ms/230VAC
Line Regulation	1%	1%
Load Regulation	1%	1%

Service Environment

Working Temp.	-30°C~50°C
Working Humidity	20~100%RH
Storage Temp.	-40°C~80°C
Storage Humidity	10~100%RH

Protection

Overload	Yes, cut-off mode, output shuts down if 5-30% overloaded, automatic recovery
Short Circuit	Yes, cut-off mode, recovers automatically after fault condition is removed

Safety

Safety Standard	EN 61347-2-13
Withstand Voltage	I/P-O/P: 3000VAC/1min/<5mA
Isolation Resistance	I/P-O/P: >100M Ohms / 500VDC /25°C / 70%RH

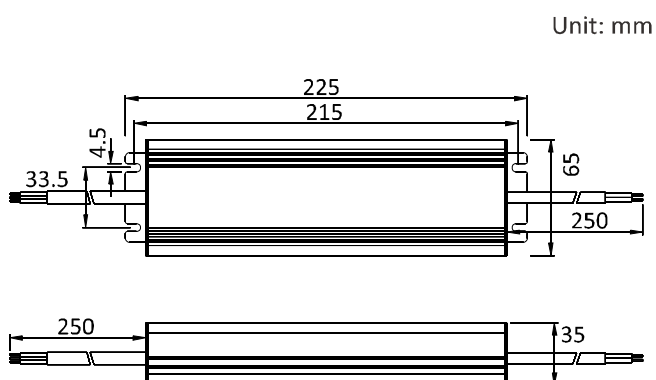
Packaging information

Product Dimension	225*65*35mm
Products Net Weight	860G
PCS/Carton(QTY)	20 PCS
Master Carton Size	34*26.5*24.5cm
G. Weight/ Carton	18.1KG

Installation Tips:

- Please identify the power supply's input and output before installation.
- Ensure correct output + & - wire connection. Power on after wire connection is done.
- To avoid voltage drop and loading capacity wasting on the output extension wire, please install the power supply to the loading as near as possible, if must use long extension wires, thicker wires and less loading wattage is required.
- The power supply to be installed at good ventilation and cooling environment.

Physical Drawing

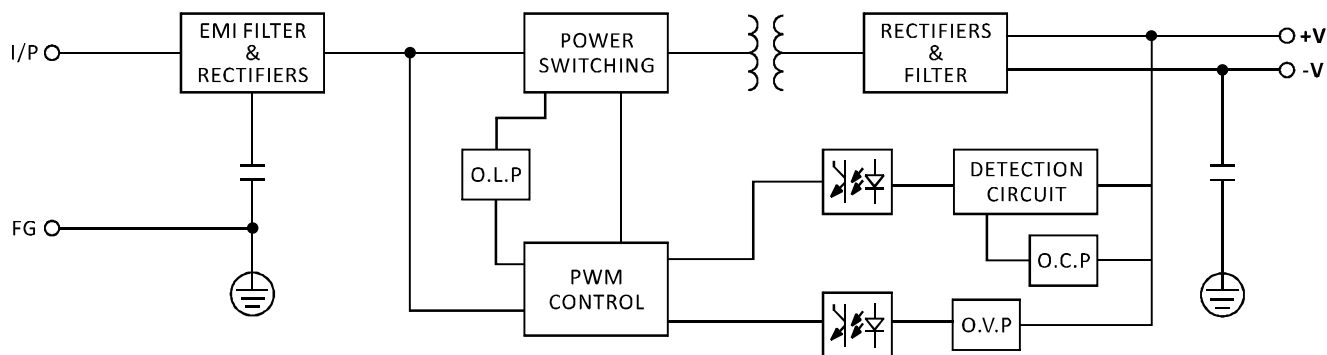


Input: 3 x 1 mm² wire, Brown L, Blue N
250mm length

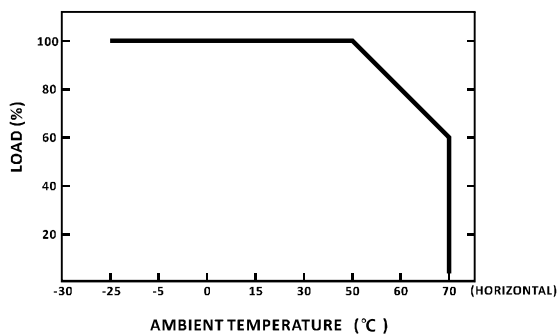
Output: 2 x 2.08 mm² wire, Red + , Black -
250mm length

Housing: Alluminium

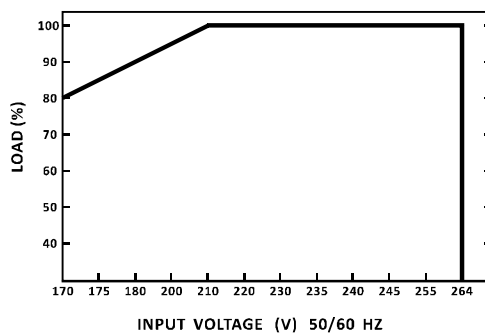
Block Diagram



Derating Curve



Static Characteristics



novadrive®

POWER SUPPLY



Brief Informations

250W

Waterproof Power Supply (C.V.)

Model ND-12V-250W-WP / ND-24V-250W-WP

Input 190-250V AC

Output 12VDC 20.83A 250W / 24VDC 10.42A 250W

Product Features

- High transfer efficiency
- Stable constant voltage output
- IP67 - both indoor & outdoor use suitable
- 100% full loading - 100% burn-in tested
- Overload/short circuit protection



Size: 240*90*40mm

MAIN ELECTRICAL DATA

AC Input

Input Voltage	190-250V
Input Frequency	50/60Hz
Efficiency (Typ.)	>89%
Input Current	2A@230V ^{Rated}
Inrush Current	60A
Leakage Current	5mA/230VAC

DC Output

Output Voltage	12V	24V
Rated Current	20.83A	10.42A
Rated Power	250W	250W
Ripple & Noise (Max.)	<200mVp-p	<200mVp-p
Setup, Rise Time	1500ms/230VAC	1500ms/230VAC
Line Regulation	1%	1%
Load Regulation	1%	1%

Service Environment

Working Temp.	-25°C~50°C
Working Humidity	20~99%RH
Storage Temp.	-40°C~80°C
Storage Humidity	10~99%RH

Protection

Overload	Yes, cut-off mode, output shuts down if 5-30% overloaded, automatic recovery
Short Circuit	Yes, cut-off mode, recovers automatically after fault condition is removed

Safety

Safety Standard	EN 61347-2-13
Withstand Voltage	I/P-O/P: 3000VAC/1min/<5mA
Isolation Resistance	I/P-O/P: >100M Ohms / 500VDC /25°C / 70%RH

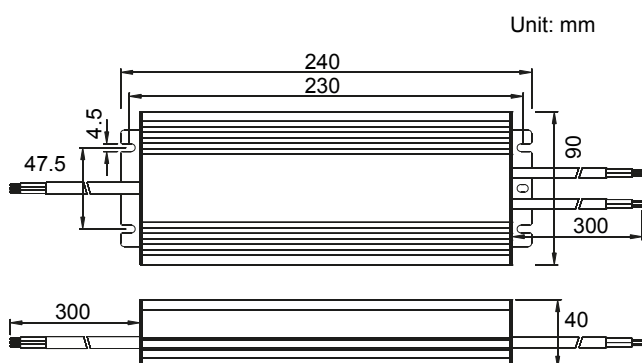
Packaging information

Product Dimension	240*90*40mm
Products Net Weight	1460G

Installation Tips:

- Please identify the power supply's input and output before installation.
- Ensure correct output + & - wire connection. Power on after wire connection is done.
- To avoid voltage drop and loading capacity wasting on the output extension wire, please install the power supply to the loading as near as possible, if must use long extension wires, thicker wires and less loading wattage is required.
- The power supply to be installed at good ventilation and cooling environment.

Physical Drawing

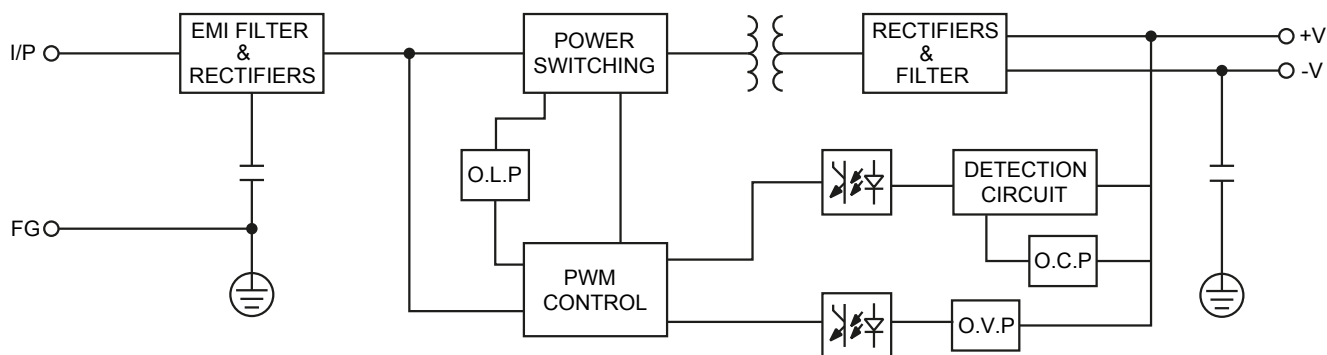


Input: 3x1.0mm² wire, Brown L, Blue N
300mm length

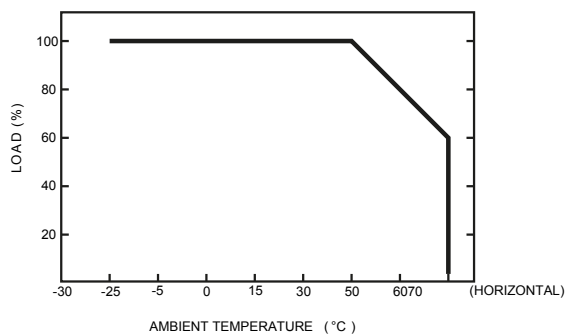
Output: 2x1.5mm wire, Red +, Black -
300mm length, 2 outlets

Housing: Alluminium

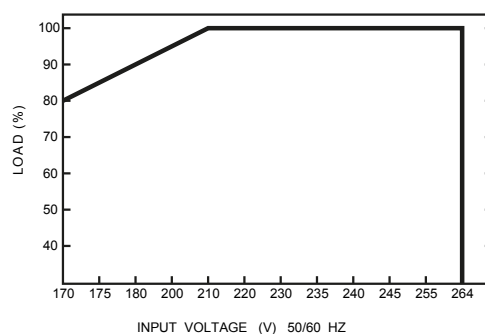
Block Diagram



Derating Curve



Static Characteristics



novadrive®

POWER SUPPLY



Brief Informations

300W

Waterproof Power Supply (C.V.)

Model ND-12V-300W-WP / ND-24V-300W-WP

Input 190-250V AC

Output 12VDC 25A 300W / 24V DC 12.5A 300W

Product Features

- High transfer efficiency
- Stable constant voltage output
- IP67 - both indoor & outdoor use suitable
- 100% full loading - 100% burn-in tested
- Overload/short circuit protection



Size: 257*90*40mm

MAIN ELECTRICAL DATA

AC Input

Input Voltage	190-250V AC
Input Frequency	50/60Hz
Efficiency (Typ.)	>89%
Input Current	230V: 2.5A max.
Inrush Current	40A
Leakage Current	5mA/230VAC

DC Output

Output Voltage	12V	24V
Rated Current	25A	12.5A
Rated Power	300W	300W
Ripple & Noise (Max.)	<200mVp-p	<200mVp-p
Setup, Rise Time	1500ms/230VAC	1500ms/230VAC
Line Regulation	1%	1%
Load Regulation	1%	1%

Service Environment

Working Temp.	-30°C~50°C
Working Humidity	20~99%RH
Storage Temp.	-40°C~80°C
Storage Humidity	10~99%RH

Protection

Overload	Yes, cut-off mode, output shuts down if 5-30% overloaded, automatic recovery
Short Circuit	Yes, cut-off mode, recovers automatically after fault condition is removed

Safety

Safety Standard	EN 61347-2-13
Withstand Voltage	I/P-O/P: 3000VAC/1min/<5mA
Isolation Resistance	I/P-O/P: >100M Ohms / 500VDC /25°C / 70%RH

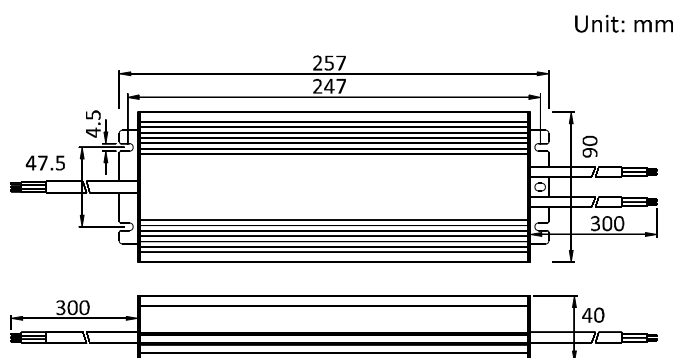
Packaging information

Product Dimension	257*90*40mm
Products Net Weight	1570G
PCS/Carton(QTY)	10 PCS
G. Weight/ Carton	17KG
Carton Dimension	32*25*25.5cm

Installation Tips:

- Please identify the power supply's input and output before installation.
- Ensure correct output + & - wire connection. Power on after wire connection is done.
- To avoid voltage drop and loading capacity wasting on the output extension wire, please install the power supply to the loading as near as possible, if must use long extension wires, thicker wires and less loading wattage is required.
- The power supply to be installed at good ventilation and cooling environment.

Physical Drawing

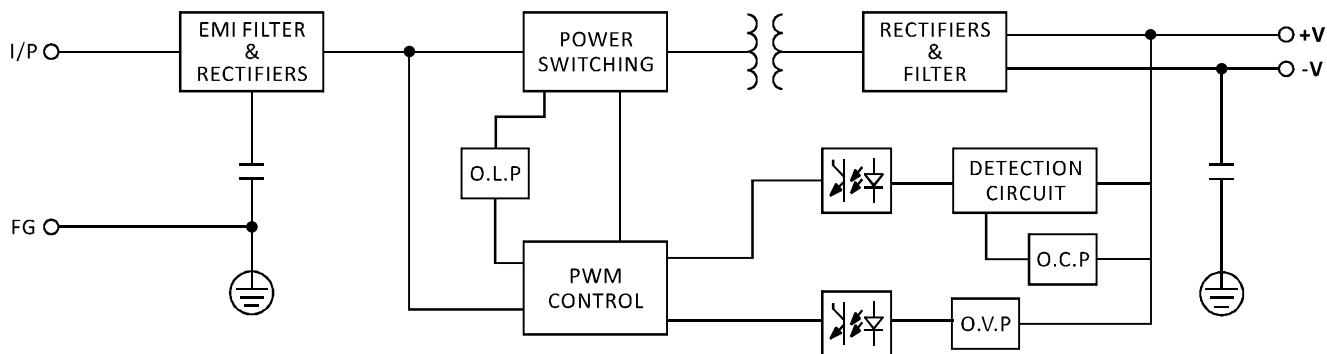


Input: 3 x 1 mm² wire, Brown L, Blue N
300mm length

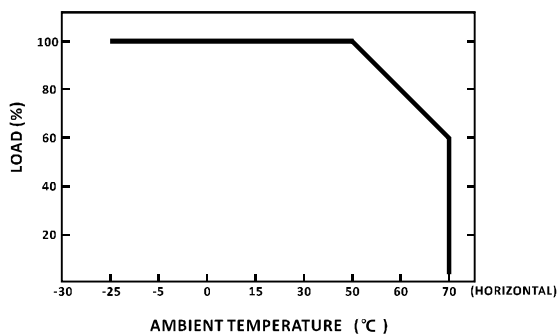
Output: 2 x 1.5 mm² wire, Red + , Black -
300mm length

Housing: Alluminium

Block Diagram



Derating Curve



Static Characteristics

