

SPECIFICATION



LED MODULE TS1212

Areas of application

Signage and illuminated advertising.
Edge-lighting for medium and small light box.
Best for 75mm to 200mm depth (3inch to 8inch)

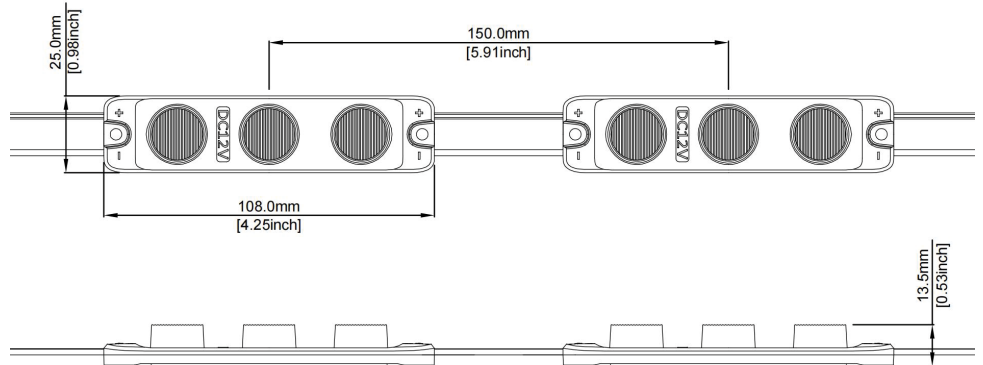
Product main benefits

Slim edge-lighting lens design can get better uniformity in light box application.
5 years warranty.
111lm/W.



Electrical and Photometrical data

ELECTRICAL DATA	LED MODULE
PART NUMBERS	TS1212
Typical Voltage	12V DC
Energy Cons. (W/module)	2.7W
Light color (designation)	Cold white
Color (CCT, wavelength)	7000K
Typical Brightness (lumen/module)	300

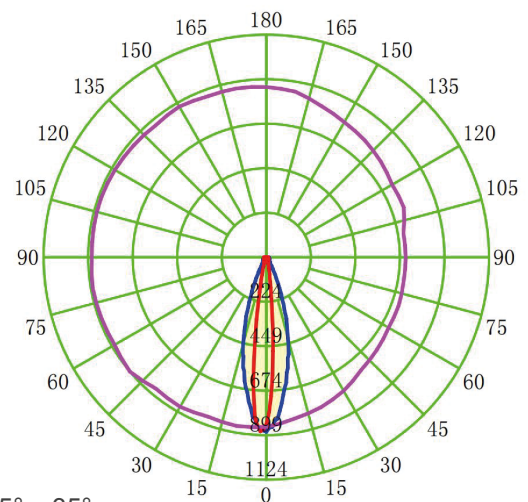


1. Tolerance of measurements for power/lumen are $\pm 10\%$.

Application Conditions and light distribution

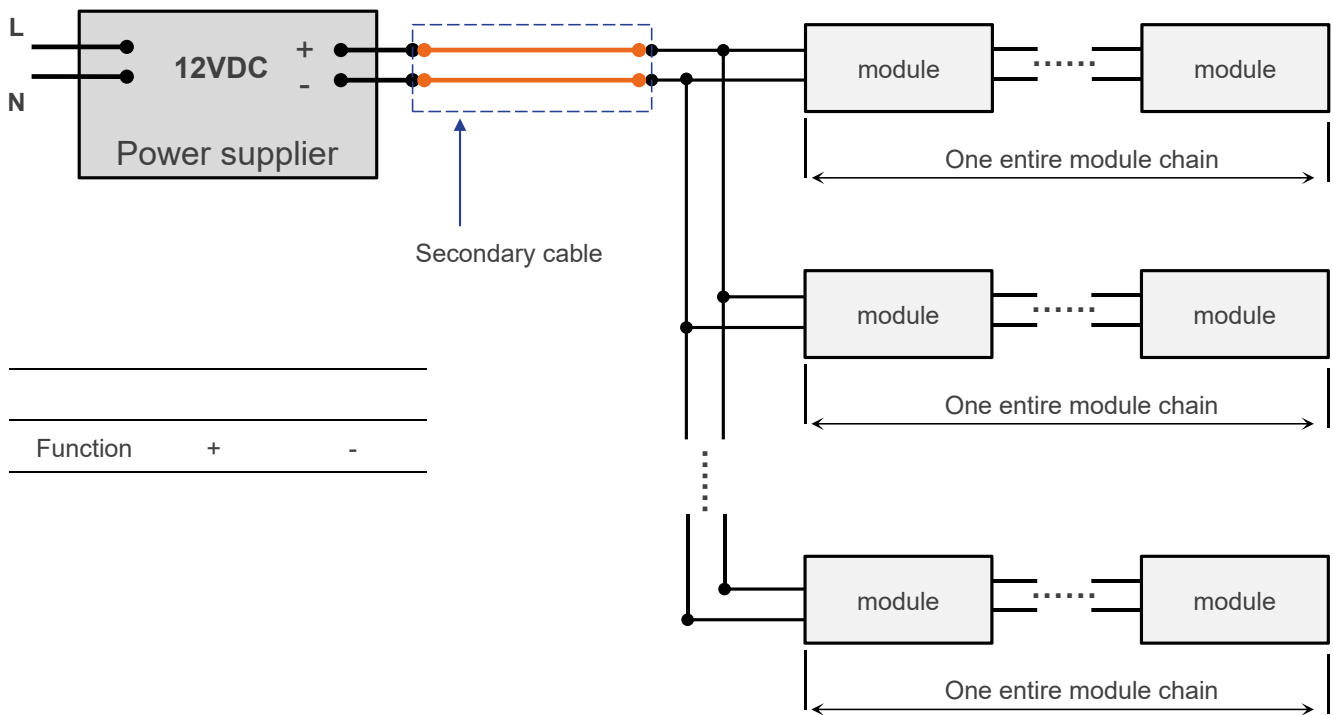
Operating Environment (t_a)	-25°C to +60°
Storage Temperature Range (t_s)	-40°C to +85°
IP Rating	IP66
Lifetime (L70B50)	5 years
t_c temperature	75°C
Dimming mode	PWM Dimmable
Cutting Resolution	Cut on wire between every module
Certification	UL, CE, BIS
Safety Requirements	IEC/EN 62031, IEC/EN 60598-1, IEC/EN 61347-1
Energy Efficacy Class	E ($\eta_{TM} = 120.3lm/W$)

Beam Angle



Beam angle: 15° x 35°

Wiring method



Package and additional information

1. Installation of LED modules (with power supplies) needs to be made under consideration of all valid regulations and norms.
2. Installation by qualified electrician only.
3. Parallel connection is mandatory for safe electrical operation. Serial connection of LED modules is discouraged. Unbalanced voltage drop in serial connection can cause hazardous overload
4. Electrical contact is achieved with the contact cables or the terminals of the module. Please refer to the technical data for maximum number of LED modules that can be operated on one control gear.
5. To avoid mechanical damage, the LED modules have to be attached securely to the intended mounting surface. It is recommended to avoid heavy vibration.
6. LED modules are dimmable by means of PWM (pulse width modulation)

Declaration

The data listed in this product specification are typical values for reference only, specific parameters are subject to the actual measurement report. All product illustrations in this product specification are schematic drawings, details are subject to the actual received goods.