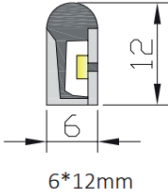
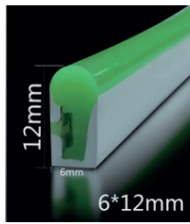
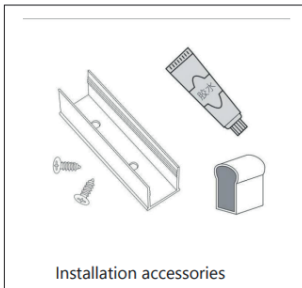


Integrated LED Neon strip 6\*12

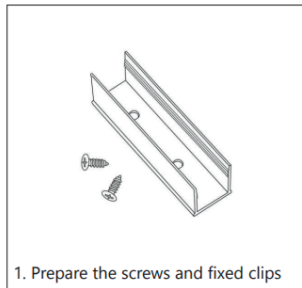


Part No.	OP-NLS6-12			
Size	6*12MM			
Emitting Color	red,yellow,blue,green,white,warm white, pink,ice blue,orange,purple,lemon yellow		RGB	RGB Magic
Working Voltage	DC12V	DC24V	DC12V	DC12V
Power	7.2W/M	9.6W/M	16W/M	19W/M
LED Type:	LED 2835	LED 2835	LED 4040	LED 4040
Min. Cutting length:	25mm	10mm	50mm	27.77MM
LED QTY:	120LEDs/m	100LEDs/m	120LEDs/m	108LEDs/m
IP rate:	IP67	IP67	IP67	IP67
Life time:	50000hrs	50000hrs	50000hrs	50000hrs
Working Temperature:	-40°C-60°C	-40°C-60°C	-40°C-60°C	-40°C-60°C

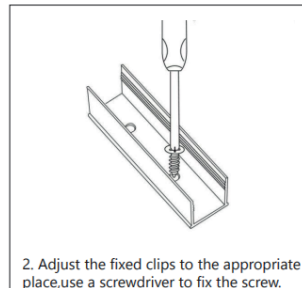
Installation steps



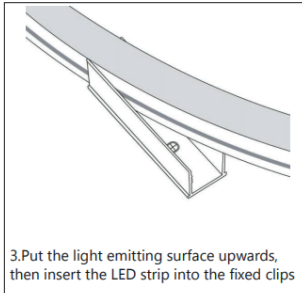
Installation accessories



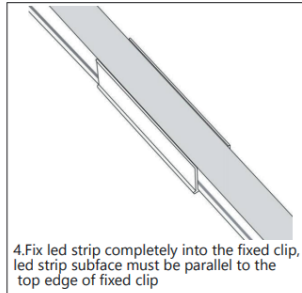
1. Prepare the screws and fixed clips



2. Adjust the fixed clips to the appropriate place,use a screwdriver to fix the screw.

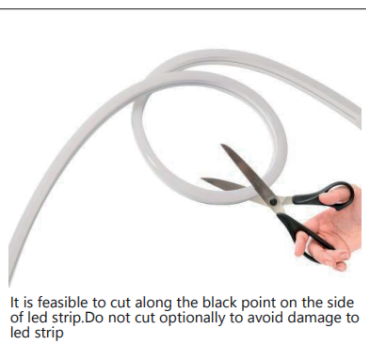


3.Put the light emitting surface upwards, then insert the LED strip into the fixed clips

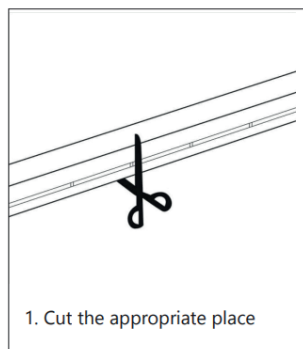


4.Fix led strip completely into the fixed clip, led strip surface must be parallel to the top edge of fixed clip

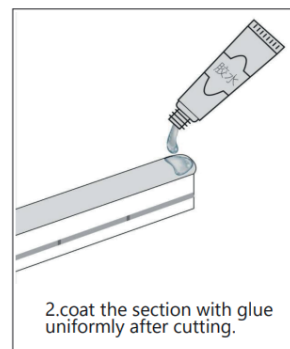
How to cut and seal the end



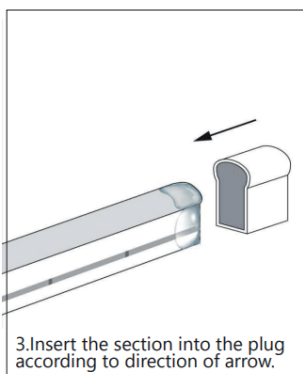
It is feasible to cut along the black point on the side of led strip.Do not cut optionally to avoid damage to led strip



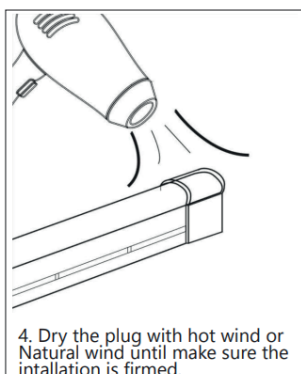
1. Cut the appropriate place



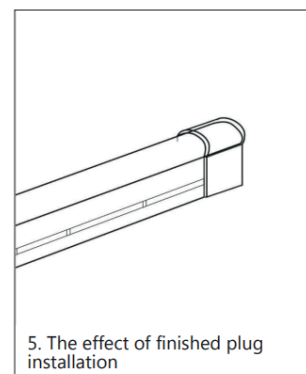
2.coat the section with glue uniformly after cutting.



3.Insert the section into the plug according to direction of arrow.



4. Dry the plug with hot wind or Natural wind until make sure the intallation is firmed.



5. The effect of finished plug installation