

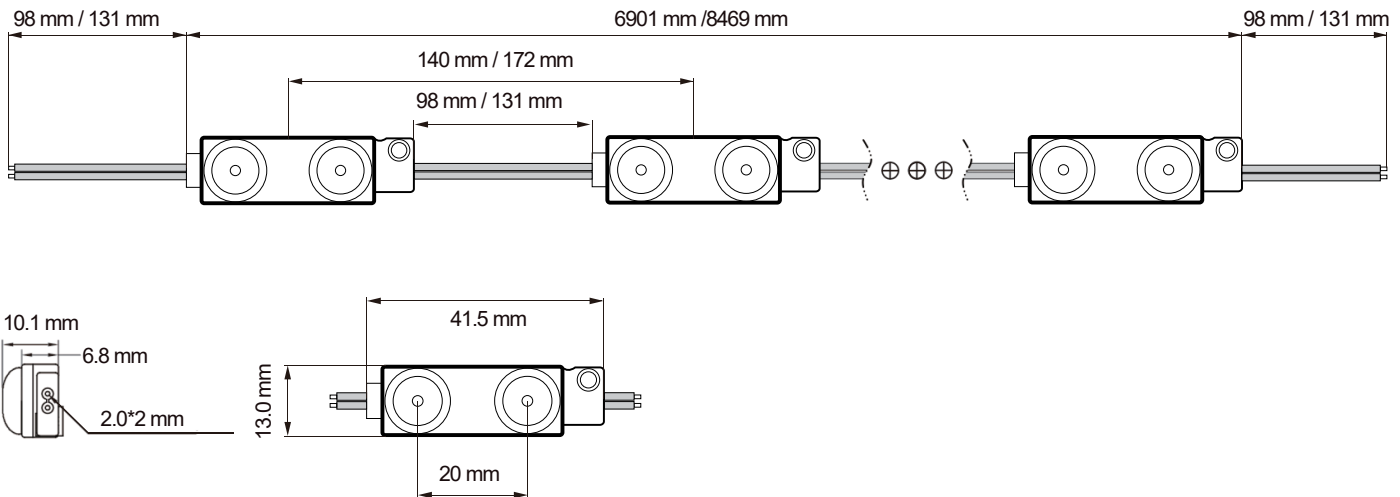
SPECIFICATION



- Support high efficiency above 160lm/W.
- 175° optic optional, suitable for 5–25cm depth channel letters & lighting boxes.
- IP68 protection grade, suitable for outdoor applications.
- LM80 test approved.
- CE approved.

Beam angle	175°
Working voltage	24vDC
Power	0.72w/mod
Luminous Efficacy	160 lm/w(White)
Protection Grade	IP68
Operating Temp.	-40°~ +60 °C / -13° ~ +140 °F
Storage Temp.	-40°~ -70 °C / -13° ~ +158 °F
Cascade	DC24V: 50pcs

Profile drawings



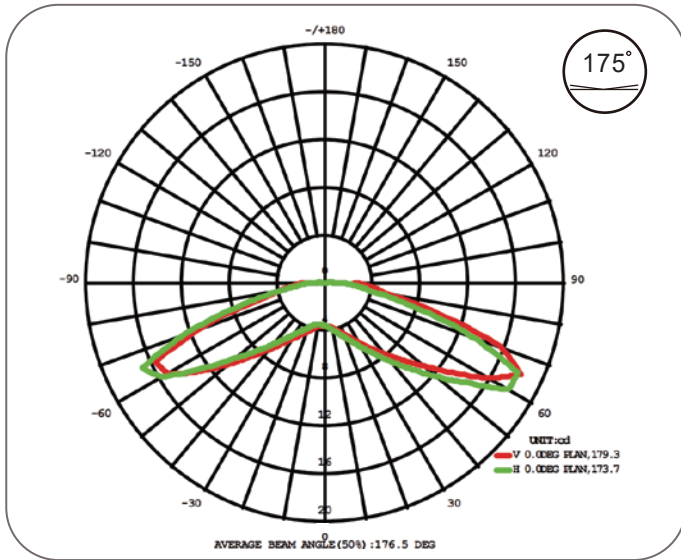
Max power supply load

	60W	100W	150W	200W
HB216024	60mods	100mods	150mods	200mods

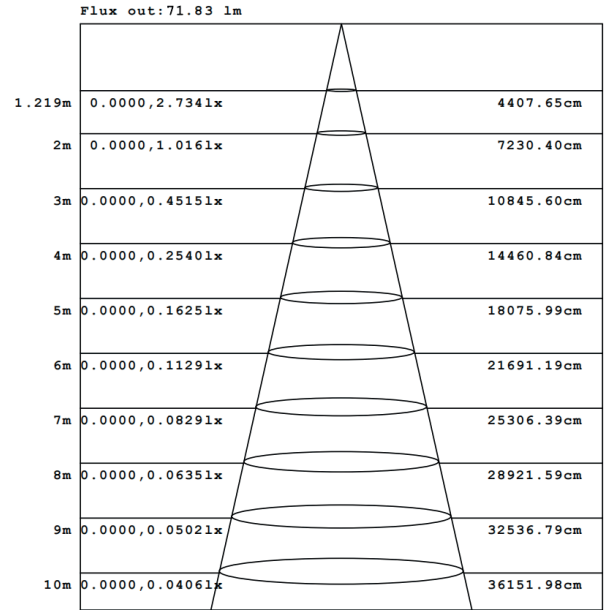
Declaration
 The data listed in this product specification are typical values for reference only, specific parameters are subject to the actual measurement report.
 All product illustrations in this product specification are schematic drawings, details are subject to the actual received goods.

Light distribution 175°

Light distribution curve



Illumination distribution map



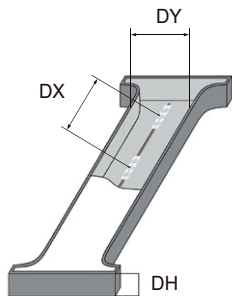
Note: The Curves indicate the illuminated area and the average illumination when the luminaire is at different distance.

Installation data

Unit: mm



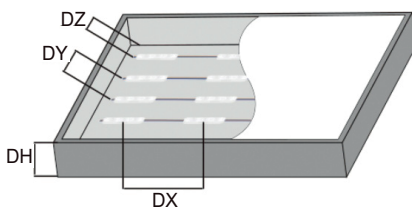
Single row



Height (DH)	Standard efficiency		High efficiency	
	Center distance (DX)	Max stroke width (DY)	Center distance (DX)	Max stroke width (DY)
50mm	102mm	102mm	102mm	125mm
76mm	140mm	152mm	152mm	178mm
101mm	140mm	203mm	172mm	254mm
127mm	140mm	203mm	172mm	305mm



Multiple rows



Note: DZ=1/2DY

Height (DH)	Standard efficiency		High efficiency	
	Row spacing (DX)	Column spacing (DY)	Row spacing (DX)	Column spacing (DY)
50mm	102mm	90mm	102mm	90mm
76mm	140mm	152mm	152mm	152mm
101mm	140mm	190mm	172mm	203mm
127mm	140mm	230mm	172mm	254mm

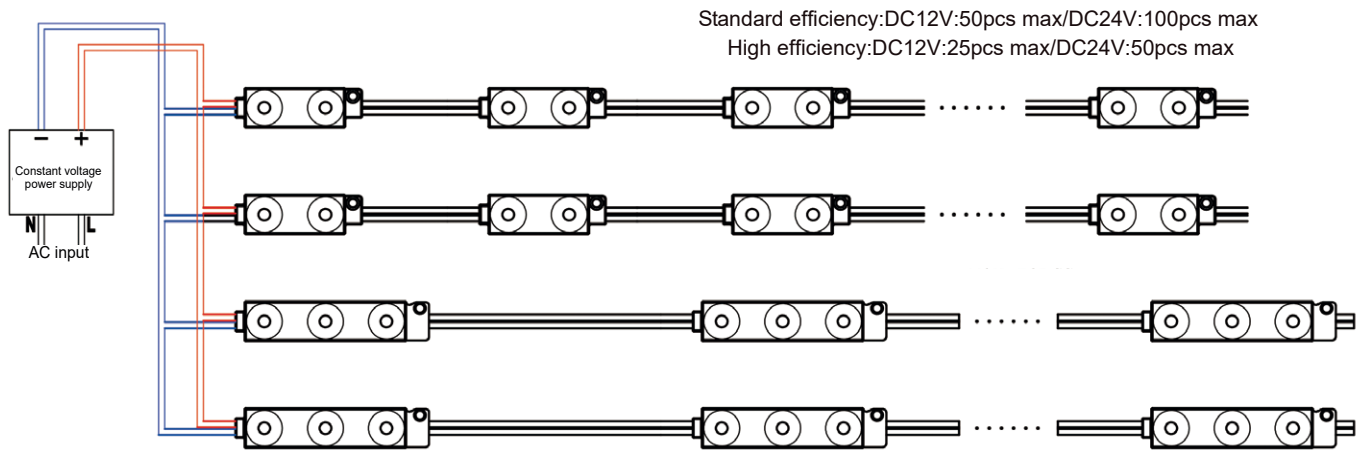
Note:

Above data is tested under 5MM white acrylic;

Above test data is tested by 6500K CCT, data of other bins will have variations;

Illuminance of the light box is the average illuminance value under uniform surface of the lightbox

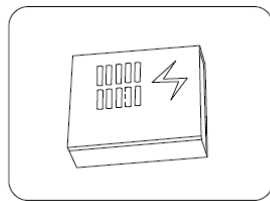
Installation instruction



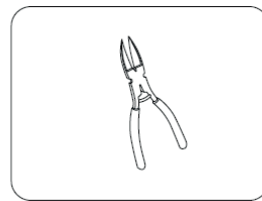
Installation diagram and procedure



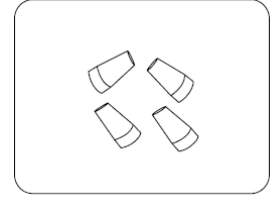
Product to be installed



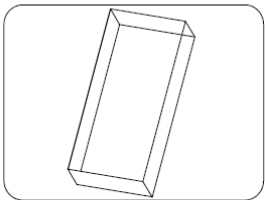
LED power supply



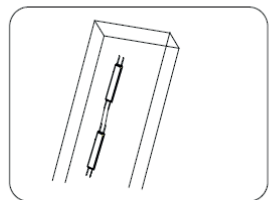
Diagonal pliers



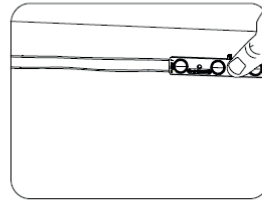
Wiring terminal



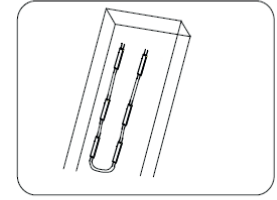
1. Cleaning the installation area



2. Tear the adhesive and paste it



3. Fix products and connect to power



4. Light up for test

Fixing ways

Adhesive tape or screws for fixing