

# SPECIFICATION

**1  
W**

**175°**

**100  
lm**

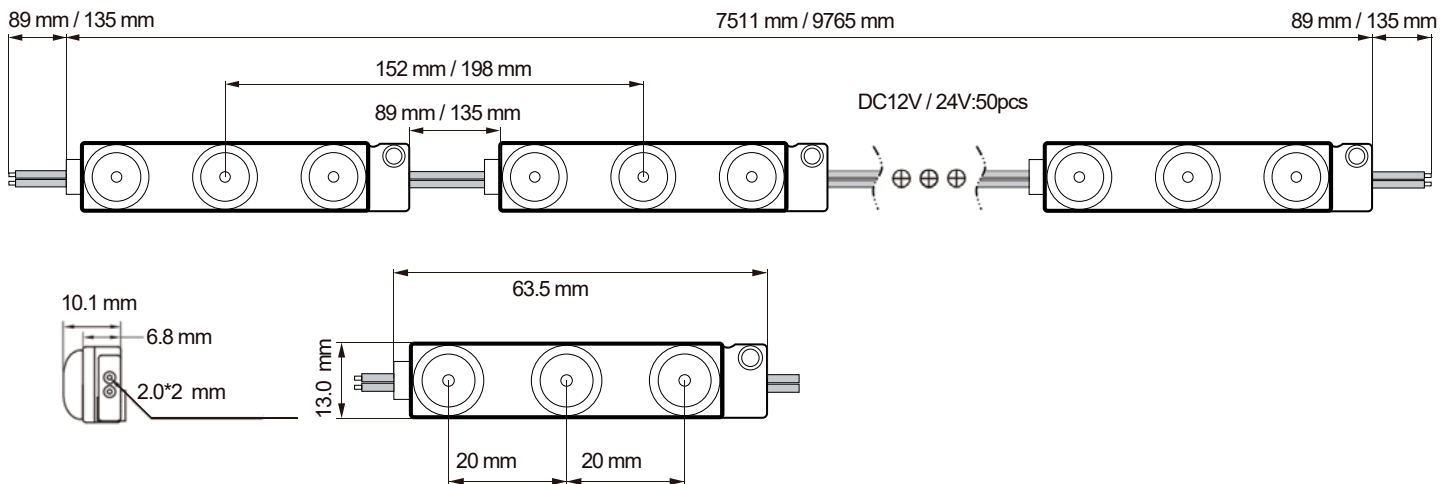
**IP68**

- Support high efficiency above 100lm/W.
- 175° optic optional, suitable for 5–25cm depth channel letters & lighting boxes.
- IP68 protection grade, suitable for outdoor applications.
- LM80 test approved.
- CE approved.



Dimension	63.5*13*10.1mm
Beam angle	175°
Working voltage	DC12V / 24V
Power	1w/mod
Luminous Efficacy	100 lm/w(White)
Protection Grade	IP68
Operating Temp.	-20°C ~ +45°C
Storage Temp.	-30°C ~ +70°C
Cascade	DC12V / 24V: 50pcs

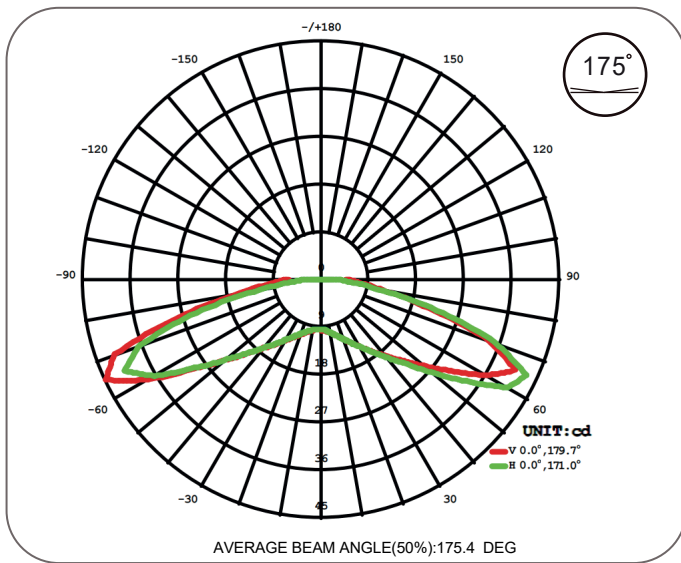
## Profile drawings



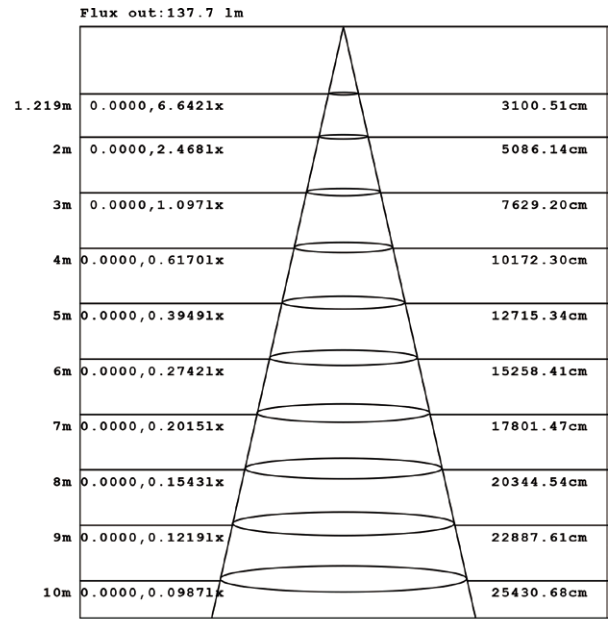
**Declaration**  
 The data listed in this product specification are typical values for reference only, specific parameters are subject to the actual measurement report.  
 All product illustrations in this product specification are schematic drawings, details are subject to the actual received goods.

# Light distribution 175°

## Light distribution curve



## Illumination distribution map



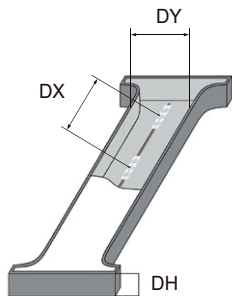
Note: The Curves indicate the illuminated area and the average illumination when the luminaire is at different distance.

## Installation data

Unit: mm



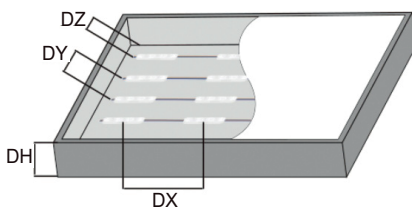
Single row



Height (DH)	Standard efficiency		High efficiency	
	Center distance (DX)	Max stroke width (DY)	Center distance (DX)	Max stroke width (DY)
50mm	125mm	125mm	125mm	125mm
76mm	152mm	178mm	175mm	203mm
101mm	152mm	230mm	198mm	280mm
127mm	152mm	305mm	198mm	356mm



Multiple rows



Note: DZ=1/2DY

Height (DH)	Standard efficiency		High efficiency	
	Row spacing (DX)	Column spacing (DY)	Row spacing (DX)	Column spacing (DY)
50mm	125mm	102mm	125mm	102mm
76mm	152mm	152mm	175mm	152mm
101mm	152mm	203mm	198mm	203mm
127mm	152mm	254mm	198mm	254mm

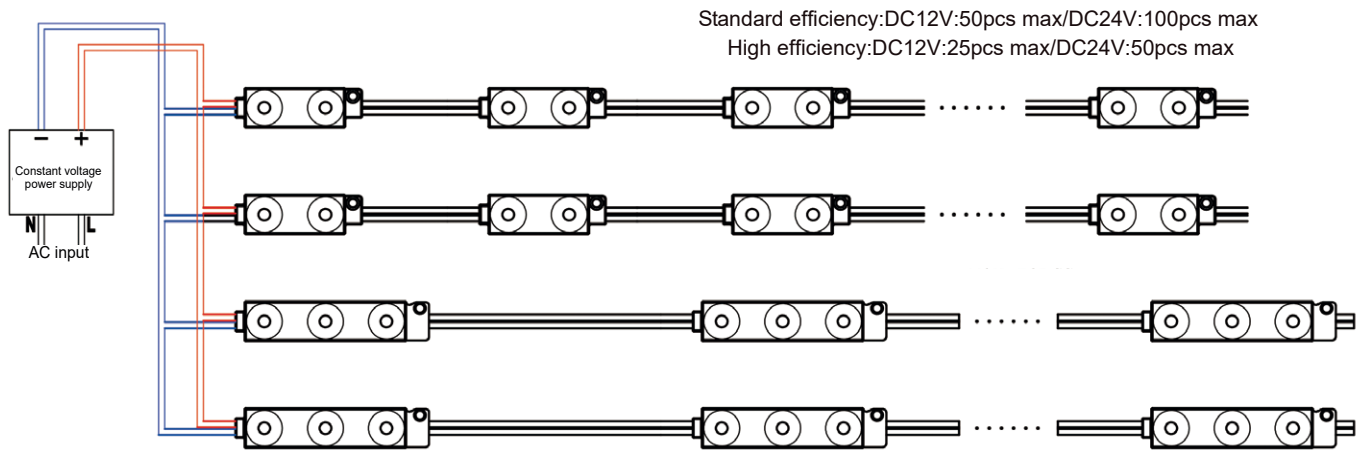
Note:

Above data is tested under 5MM white acrylic;

Above test data is tested by 6500K CCT, data of other bins will have variations;

Illuminance of the light box is the average illuminance value under uniform surface of the lightbox

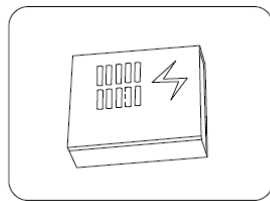
## Installation instruction



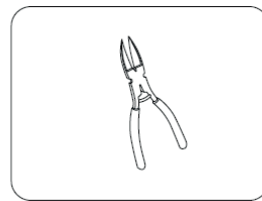
## Installation diagram and procedure



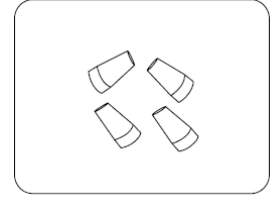
Product to be installed



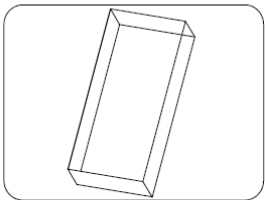
LED power supply



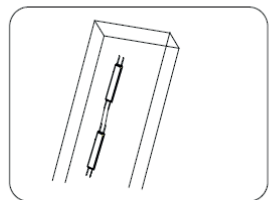
Diagonal pliers



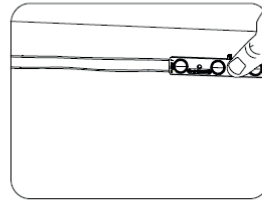
Wiring terminal



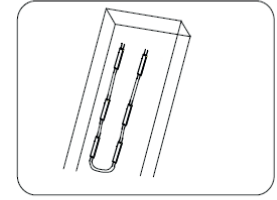
1. Cleaning the installation area



2. Tear the adhesive and paste it



3. Fix products and connect to power



4. Light up for test

### Fixing ways

Adhesive tape or screws for fixing