

Item number : M21GW002A



Product Feature :

1. High brightness 2835 LED as light source, even lighting, low attenuation
2. High quality double side FR4 PCB, good reliability
3. Easy installation
4. Great Brightness and color consistency due to excellent lens design.
5. 170lm/W high efficiency
6. 5 years warranty

- Range of Application:
1. Signage and advertising lighting.
 2. Back lighting of mini channel letters.
 3. Best for 30mm to 100mm depth of channel letters.

Electronic parameter

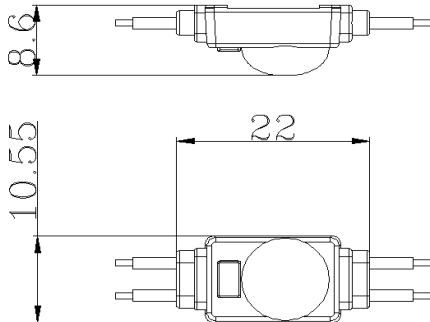
| Item number | LED Type | Beam Angle | LED Color | Lumen/pc | Input Voltage | Power (W/pc) | Life span | Cascade |
|-------------|----------|------------|-----------|----------|---------------|--------------|-----------|---------|
| M21GW002A | 2835 | 160° | 3000K | 40LM | 12V | 0.24 W/pc | 50,000H | 50pcs |
| | | | 4000K | 41LM | | | | |
| | | | 5000K | 41LM | | | | |
| | | | 6500K | 41LM | | | | |
| | | | 7500K | 40LM | | | | |
| | | | 8000K | 39LM | | | | |
| | | | 10000K | 39LM | | | | |

Electronic parameters

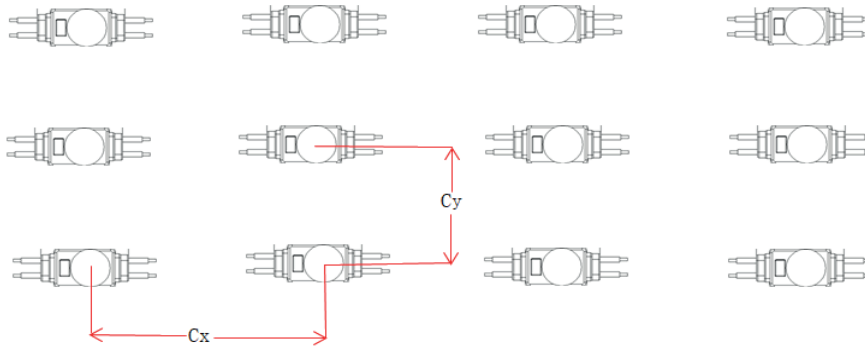
| LED QTY | Length (MM) | IP grade | Driving Method | Fixed method | Working Temperature | Store Temperature |
|---------|-------------|----------|----------------|---------------|---------------------|-------------------|
| 1 led | 22mm | IP67 | DC12V | Adhesive tape | -25 — +60 | -40 — +85 |

Dimension (Unit:mm) :

22*10.55*8.6mm



Installation Layout



| Light box depth (mm) | Distance between module Cx(mm) | Distance between module Cy(mm) | Installation density (pcs/m ²) | Illumination scope(lux) |
|----------------------|--------------------------------|--------------------------------|--|-------------------------|
| 30 | 30 | 30 | 1089 | 22325 |
| 50 | 50 | 50 | 400 | 8200 |
| 70 | 70 | 70 | 196 | 4018 |
| 100 | 100 | 100 | 100 | 2050 |

Installation instructions :

1. The thickness of the wires shall be adopted based on the possible current, products power, length of the extension wire and the loss in the wires transit at low voltage.
2. Suggest choosing high-quality switch power (have short circuit , over voltage and over load protection function etc)
3. Installation of LED modules with power supplies needs to be done under consideration of all valid regulations and norms
4. Installation by qualified electrician only.
5. Parallel connection is mandatory for safe electrical operation. Serial connection of LED modules is discouraged. Unbalanced voltage drop in serial connection can cause hazardous overload
6. Electrical connection is achieved with the cables or the terminals of the module.
7. To avoid mechanical damage, the LED modules have to be attached securely to the intended mounting surface. It is recommended to avoid heavy vibration.
8. LED modules are dimmable by means of PWM (pulse width modulation).