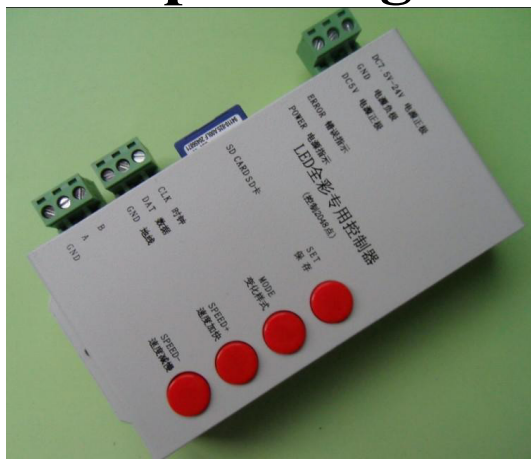


# T-1000 Operating manual



## 1、 T-1000 System features

- 1、 32—256 Gray level, Support software Gamma correction。
- 2、 Support the rules and special-shaped handle.
- 3、 Single-port output, can support 2048 pixels。
- 4、 Off-line(SD Card) control, play back content stored in the SD card.
- 5、 T-1000 store a maximum of 16 programs, copy multiple files to the SD card in order, after formatting the SD card as “FAT” format.
- 6、 The program must be named in orders . just as : 00\_1.led, 01\_1.led, 02\_1.led.

**NOTE : 1.** When T-1000 controller control less than 512 lamps the frame rate can reach 30fps. When T-1000 control more than 512 lamps and less than 2048 lamps the frame rate will slow down automatically.

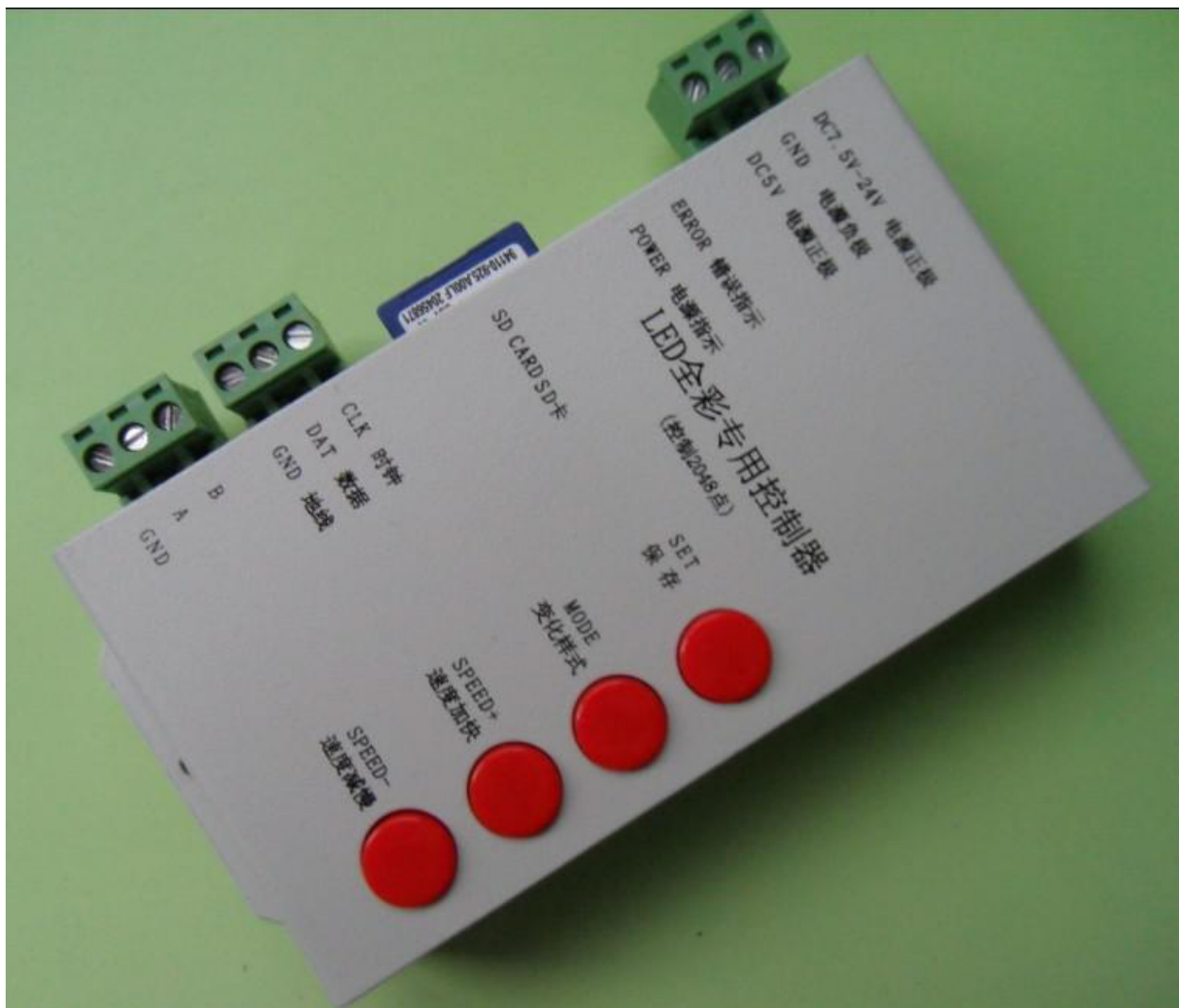
**2. T-1000 must use the new software LedEdit 2012.**

## 2、 Support chips :

| Chip type                          | Software code&<br>Controller type | Lamps/(MA<br>X) | Note   |
|------------------------------------|-----------------------------------|-----------------|--|
| LPD6803,D705,1101,6909,<br>6912    | T-1000-6803                       | 2048 pixels     |  |
| LPD8806,LPD8809                    | T-1000-8806                       | 2048 pixels     |  |
| TM1803, TM1804, TM1809, T<br>M1812 | T-1000-TM                         | 2048 pixels     | TM1804 and<br>TM1809 are<br>divided into high<br>and low |
| TM1903, TM1904, TM1909,<br>TM1912  | T-1000-TM19                       | 2048 pixels     |  |

|   |                 |             |   |
|---|-----------------|-------------|---|
| UCS6909 , UCS6912 ,<br>UCS7009, UCS5903 | T-1000-UCS-32   | 2048 pixels |   |
| UCS1903 , UCS1909 ,<br>UCS1912          | T-1000-UCS-256  | 2048 pixels | 1903 and 1909 are<br>divided into high<br>and low |
| UCS3903                                 | T-1000-UCS-1024 | 2048 pixels |   |
| WS2801,WS2803                           | T-1000-WS       | 2048 pixels |   |
| P9813                                   | T-1000-P9813    | 2048 pixels |   |
| SM16715                                 | T-1000-SM16715  | 2048 pixels | SM16715 be<br>divided into high<br>and low        |
| SM16716                                 | T-1000-SM16716  | 2048 pixels |   |

### 3、 Appearance picture



#### 4、 Definition of printing :

| Buttons   | Meaning   |   |
|-----------|---|---|
| 保存 SET    | Save Settings ( to save current settings file and the playback speed )。 |   |
| 模式 MODE   | Change programs   |   |
| 速度 SPEED+ | Speed up  | <b>Press speed+ and speed- at the same time the program will play circularly.</b> |
| 速度 SPEED- | Speed down  |   |

|  |                      |
|--|----------------------|
| <b>DC5V</b>  | +5V power input      |
| <b>GND</b>   | Power GND input      |
| <b>7. 5-24V</b>  | +7.5-24V power input |
| <input checked="" type="checkbox"/> 源灯 <b>POWER</b>                                    | Power indicator      |
| <input checked="" type="checkbox"/> <input checked="" type="checkbox"/> 灯 <b>ERROR</b> | Error indicator      |
| <b>SD 卡 SD CARD</b>  | SD card slot         |

TTL signal (245/spi signal) :

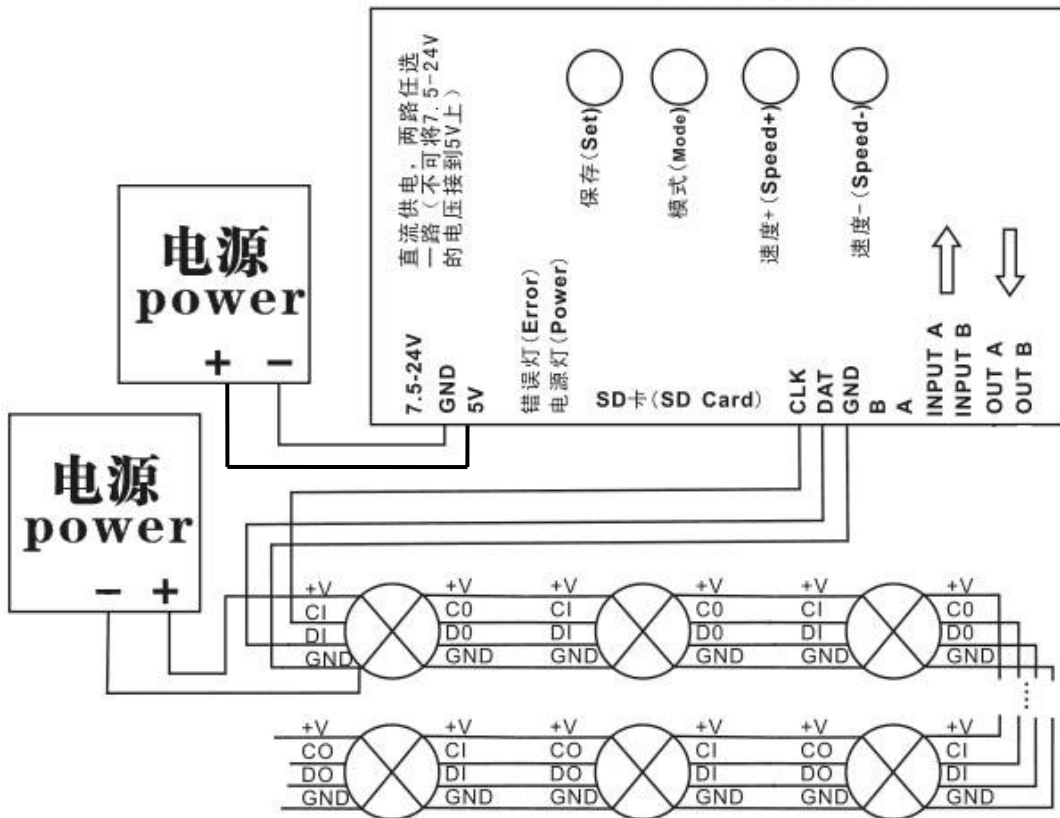
RS485 signal.

|            |               |            |                 |
|------------|---------------|------------|-----------------|
| <b>CLK</b> | Clock signal  | <b>B</b>   | Signal A / DMX+ |
| <b>DAT</b> | Data signal   | <b>A</b>   | Signal B / DMX- |
| <b>GND</b> | Signal ground | <b>GND</b> | Signal ground   |

**NOTE :** For the TTL(SPI) signal, the controller signal ground must connect to the LED ground directly.

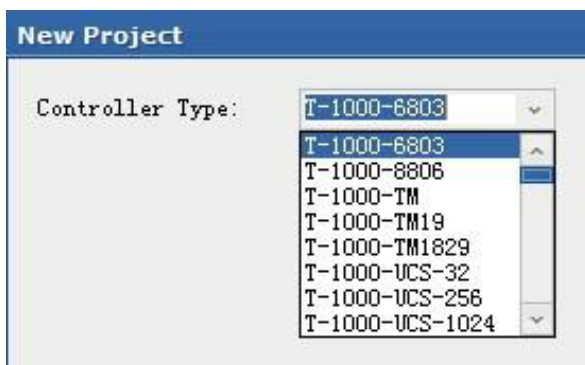
#### 5、 Mode of connection

## NO. 1 controller



when the controller control less than 512 pixels the frame rate can reach 30fps, when control more than 512 pixels the frame rate will slow down automatically.

1. T-1000 one TTL(SPI) signal and one RS485 signal port output, can control 2048 pixels/lamps ;
2. When the chip for LED is single line chip just with data, then just need to be connected with DAT and GND of the controller. If the chip for LED is double line chip with DAT and CLK, then need to be connected with DAT, CLK, and GND of the controller.
3. If you need to use RS485 signal you need to connect controller **A interface** with LED lamps A (DMX+), controller **B interface** with LED lamps B(DMX-),
4. If you need to control a new IC type by the controller, software code mode is : **T-1000-IC model**.



## 6、 Name of the program : (The rule of how to name the programs :)

The name for NO.1 controller :

“00\_1.led” ----- NO.1 program for No.1 controller

“01\_1.led” ----- NO.2 program for No.1 controller

“02\_1.led” ----- NO.3 program for No.1 controller

.....

“15\_1.led” ----- NO.16 program for No.1 controller

The name for NO.2 controller :

“00\_2.led” ----- NO.1 program for No.2 controller

“01\_2.led” ----- NO.2 program for No.2 controller

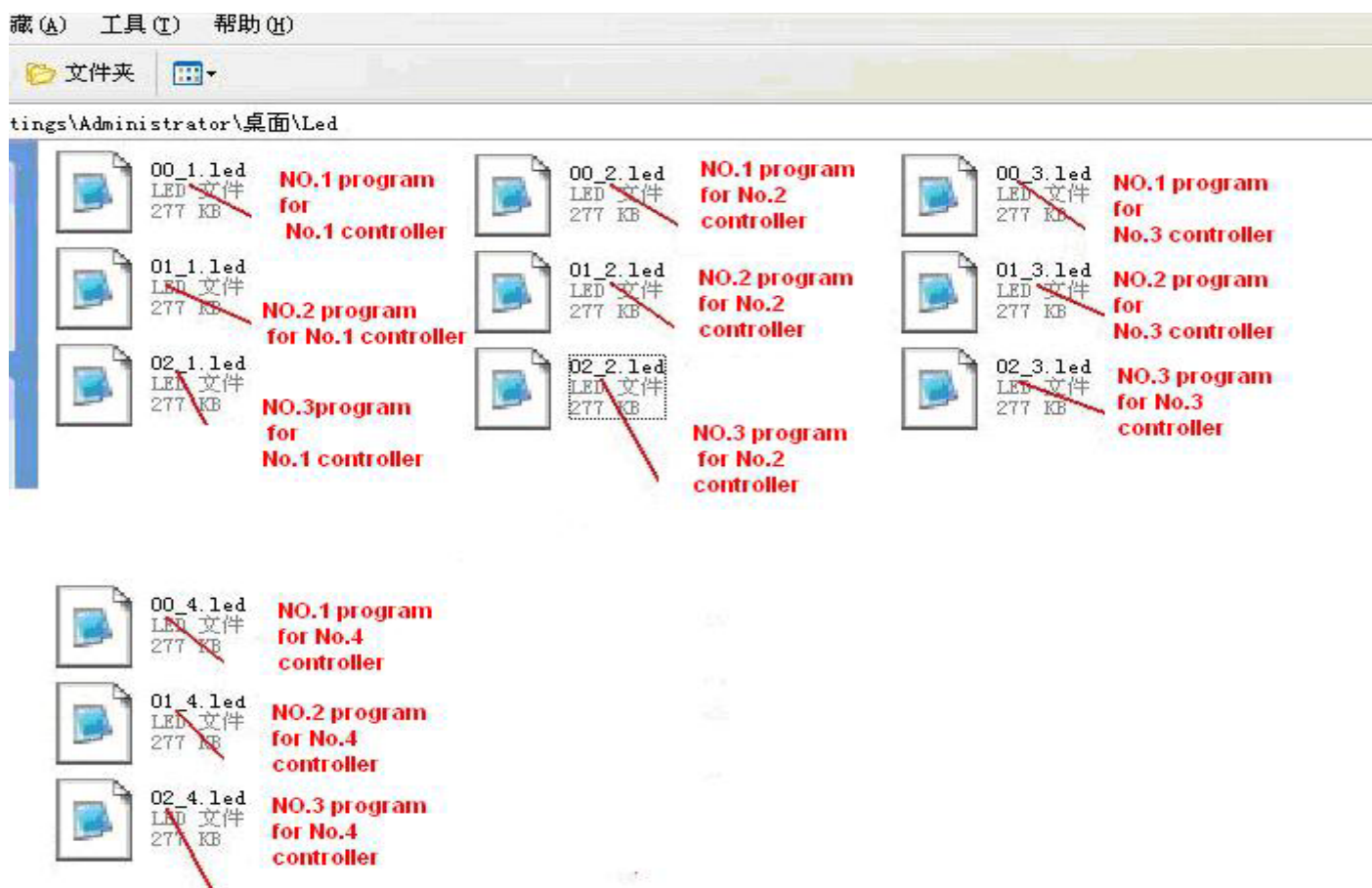
“02\_2.led” ----- NO.3 program for No.2 controller

.....

“15\_2.led” ----- NO.4 program for No.2 controller

.....

PIC :



## 7、 Special parameters

### Memory card :

**type** : SD card (suggest using high-speed SD card)

**Capacity** : 128MB—1GB

**Format** : FAT

**Store file** : \*.led

### Physical parameters :

Working temperature : -30 —85

Working voltage : DC5V / DC7.5-24V

Working power : 1W

size : L165mm×W80mm×H30mm

weight : 0.35KG

signal port : 3pin connect port

### Note :

Before copy files to SD card , The SD card must be formatted as FAT format



The SD card in controller can not be hot-swappable, plug the SD card every time, you must first disconnect the power supply

## 7、 Trouble shooting

**Question 1** : After power, the T-1000 ERROR indicator has been flashing without display output

**answer** : The ERROR indicator has been flashing means the controller did not read the card correctly, possible problems:

- ①SD card is empty, with no effect file.
- ②The effect file in the SD card and the controller model are not match, please choose correct controller model in LedEdit and then re-create the effect file \*.led.
- ③SD card did not format to FAT before copy effect files.
- ④Please check the supply power voltage, the controller can be individually powered to exclude power reasons
- ⑤Changing the SD card and then test to exclude the possibility of a bad SD card

**Question 2**: The controller is powered on, the indicator is normal, but the lamps have no effect change

**Answer**: The reasons for this are as follows:

- ① Check if the lighting's signal line and the controller connected correctly
- ② If the TTL signal is received, the lamp and the controller must be common ground, that means connect the lighting's and the controller's ground together
- ③ Check if the model chose during making display files on the SD card match the chips used in the lighting